



# GL-310

Mechanical Scanning 2D LiDAR



## PRODUCT FEATURES

Rev. 1907

- Scanning laser finder for mid-range detection.
- High angular resolution ( $0.18^\circ$  pitch).
- Wide horizontal angle ( $180^\circ$ ) and fast response (66msec).
- Support ROS driver.
- Realtime raw data supported.
- RS-232 Communication interface.
- Scalable for a variety of industries.
- (Option) 5 input zone selection 4 output detection signals.
- (Option) Up to 12 levels and 31 zones can be set.



## APPLICATION AREA



AGV/OHT



Industrial

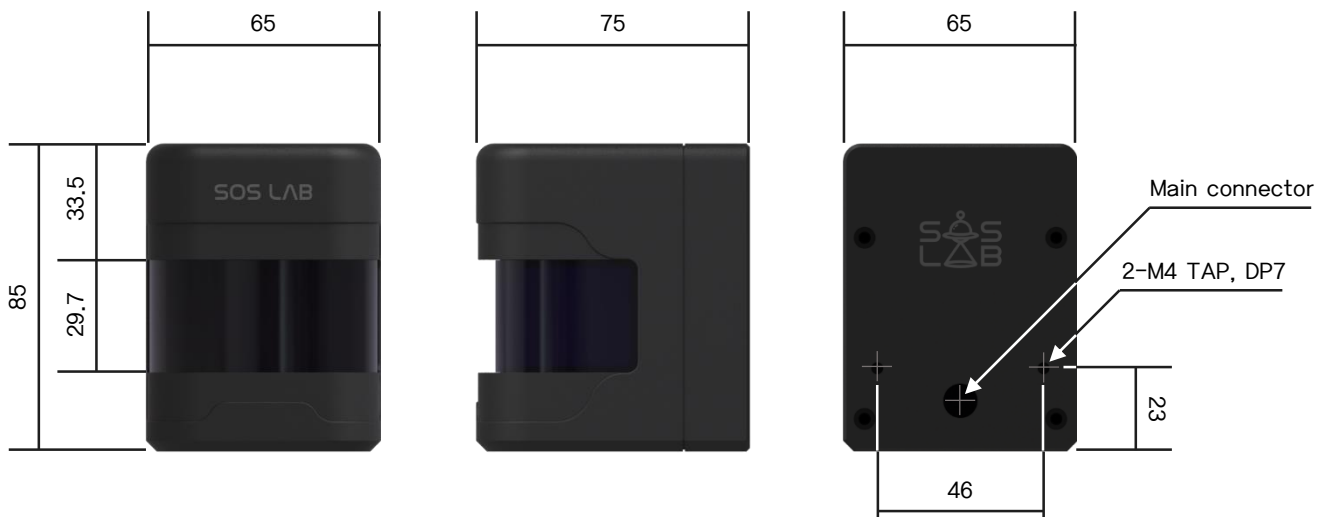


UAV




Security

## DIMENSIONS



## SPECIFICATIONS

Model	GL-310
Supply Voltage	DC 24 V (12 V ~ 24 V)
Supply Current	< 300 mA (24 V)
Light Source	Wavelength 905 nm Infrared Laser
Laser Class	Class 1 Laser Product
Detection Range	0.05 m ~ 10 m (white Kent sheet, reflectance 90%)
Distance Error	± 30 mm @ 0.5 ~ 10 m
Repeated Accuracy	± 30 mm
Scanning Angle	180 °
Angular Resolution	0.18 °
Scanning Frequency	20 Hz
Response Time	Below 66 msec
Status LED	 L1 : Power LED, L2~L5 : Object Detection & Warning LED
Interface	RS-232, baud rate: 921600 bps
Ambient Light Immunity	Below 10,000 lux Note : Avoid direct sunlight or other illumination sources as it may cause sensor malfunction.
Operating Temp	-10 ~ 50 °C
Weight	340 g
Material	Outline Case : PC, Back Side : ABS, Cable Glands : AI
Dimensions	65 x 75 x 85 mm (WDH)



CLASS 1 LASER PRODUCT

Copyright 2019. SOS LAB Co., Ltd. All rights reserved.